

# ASSEMBLY INSTRUCTION

---

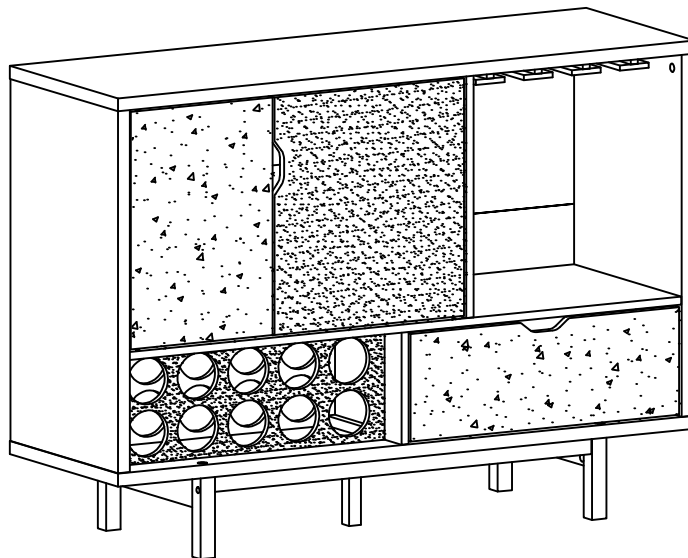
## **PLEASE READ BEFORE ASSEMBLING!**

Tip #1: Make sure you've taken all the pieces and hardware out of its packaging before discarding the box.

Tip #2: Using page 2 and/or page 3 of instruction manual make sure all pieces and hardware are accounted for.

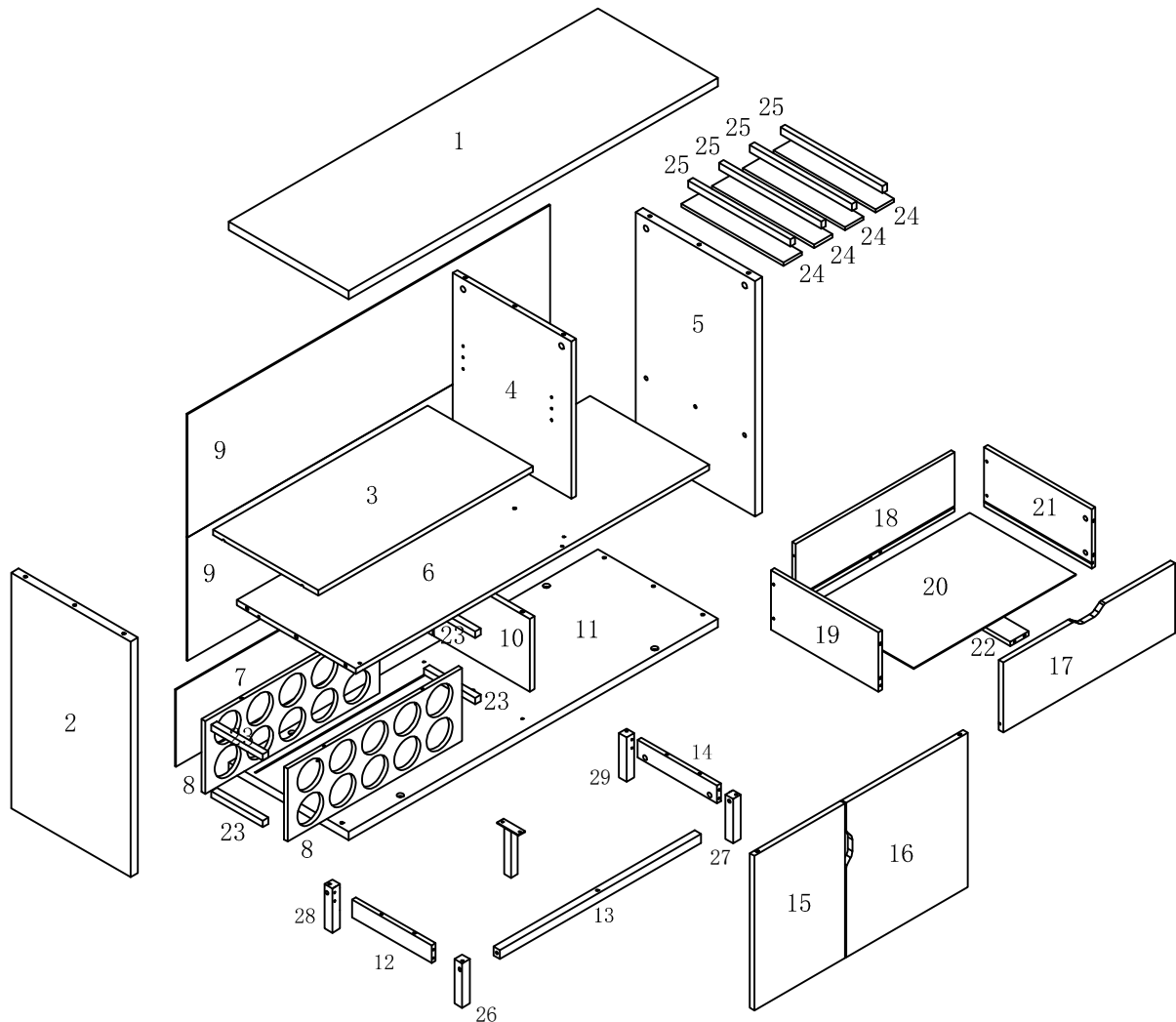
Tip #3: Read manual before assembling, it helps!

ITEM#: 151369



# PARTS IDENTIFICATION

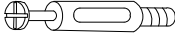






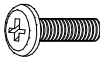

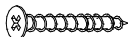




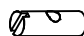




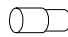


ITEM#: 151369



(1)	1pc	(10)	1pc	(19)	1pc	(28)	1pc
(2)	1pc	(11)	1pc	(20)	1pc	(29)	1pc
(3)	1pc	(12)	1pc	(21)	1pc		
(4)	1pc	(13)	1pc	(22)	1pc		
(5)	1pc	(14)	1pc	(23)	4pcs		
(6)	1pc	(15)	1pc	(24)	4pcs		
(7)	1pc	(16)	1pc	(25)	4pcs		
(8)	2pcs	(17)	1pc	(26)	1pc		
(9)	2pcs	(18)	1pc	(27)	1pc		



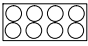
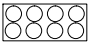
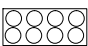
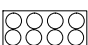
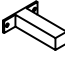

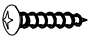
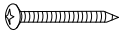
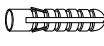
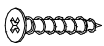
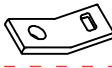

# HARDWARE IDENTIFICATION

ITEM#: 151369

A		L29	18pcs
B		φ15	18pcs
C		L20	4pcs
D		φ12	4pcs
E		φ8x25	23pcs
F		φ8x25 (WHITE)	2pcs
G		φ6x30	2pcs
H		M6x12	2pcs
I		φ4x30	8pcs
J		φ4x40	4pcs
K		φ3x16 (BLACK)	4pcs
L		φ3x14 (BLACK)	4pcs
M		M7x48	4pcs
N		M6x55	4pcs
O		φ10x15	4pcs
P		M4	1pc
Q		φ8xφ16x2	8pcs
R		BROWN	2pcs
S		BLACK	2pcs
T		φ5x15	4pcs
U		WHITE	2pcs
V			32pcs

# HARDWARE IDENTIFICATION

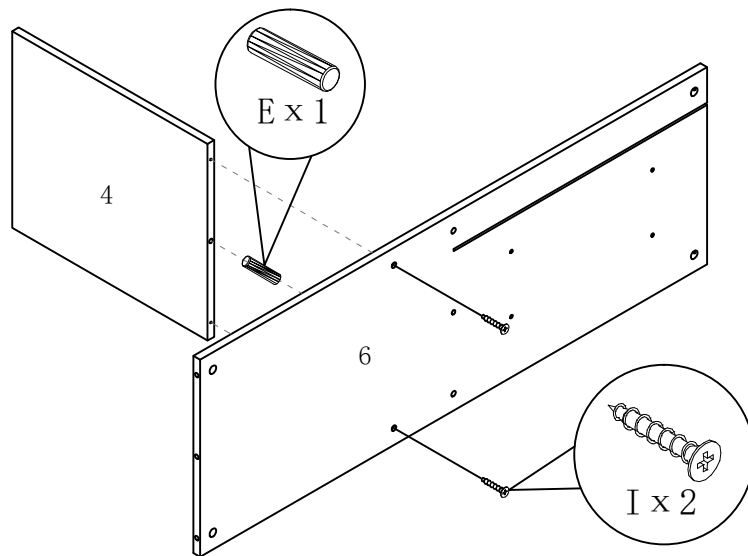
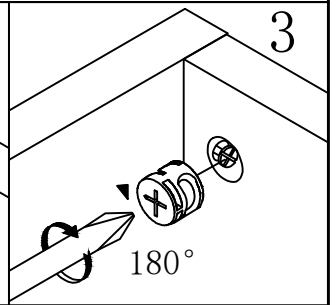
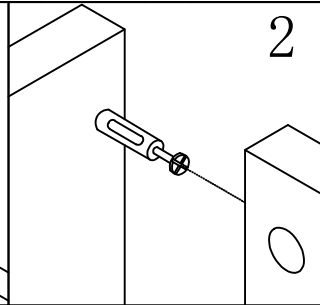
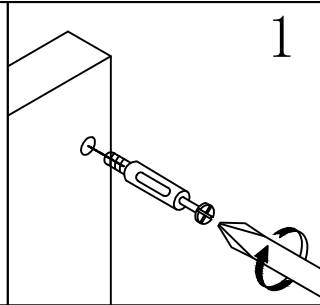
ITEM#: 151369

W		M6x35	8pcs
X		∅16	4pcs
Y		∅22 (BLK3)	4pcs
Z		∅20 (BLK3)	20pcs
A1		∅13 (BLK3)	4pcs
B1		∅13 (GWH)	8pcs
C1		∅80x25x150	1pc
D1		197×5×1	1pc
E1		∅4x25	1pc
F1		∅5x40	1pc
G1		∅8x40	1pc
H1		∅4x20	8pcs
I1		12×12×1	2pcs
J1		Glue: For securing please apply to wood dowel first before inserting into panel	1pc

# ASSEMBLY INSTRUCTION

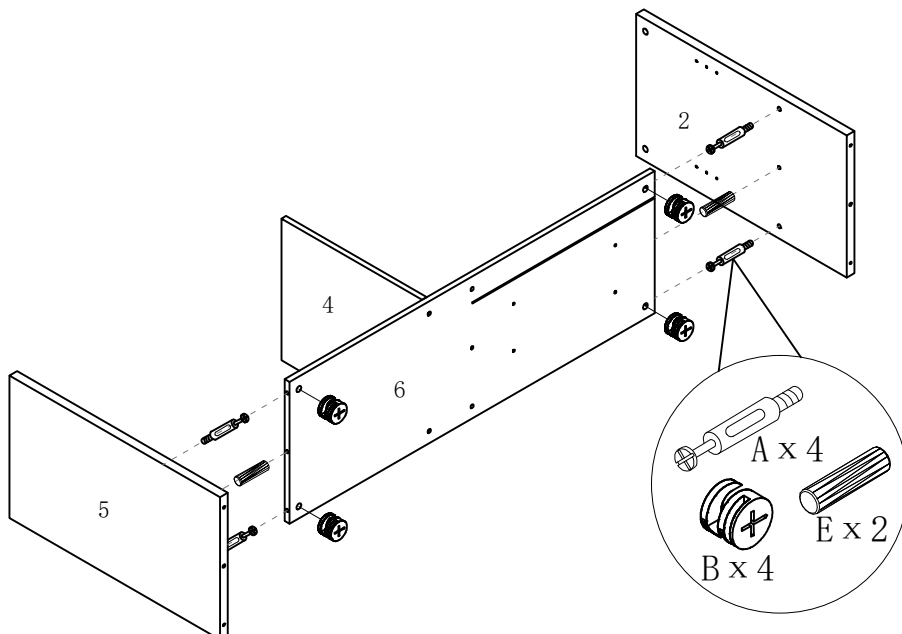
ITEM#: 151369

HOW TO



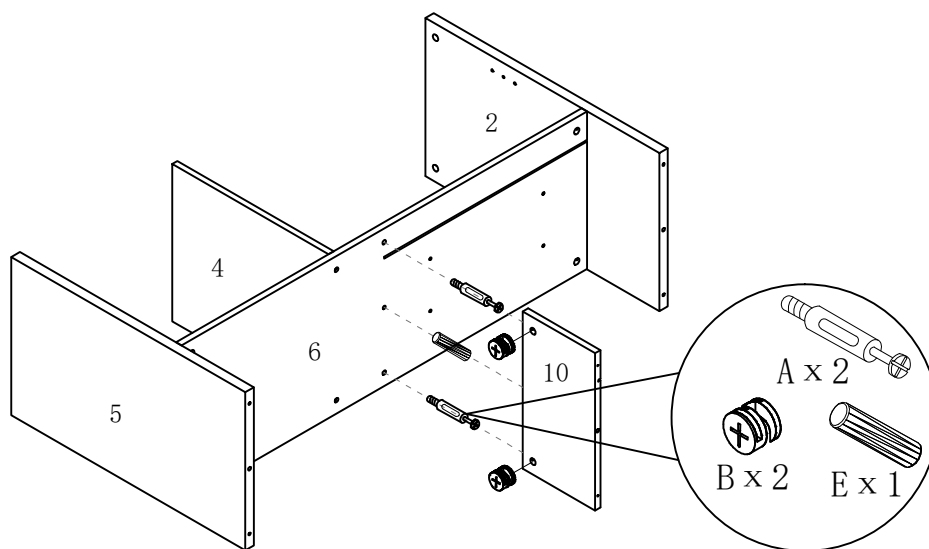
STEP 1

STEP 2



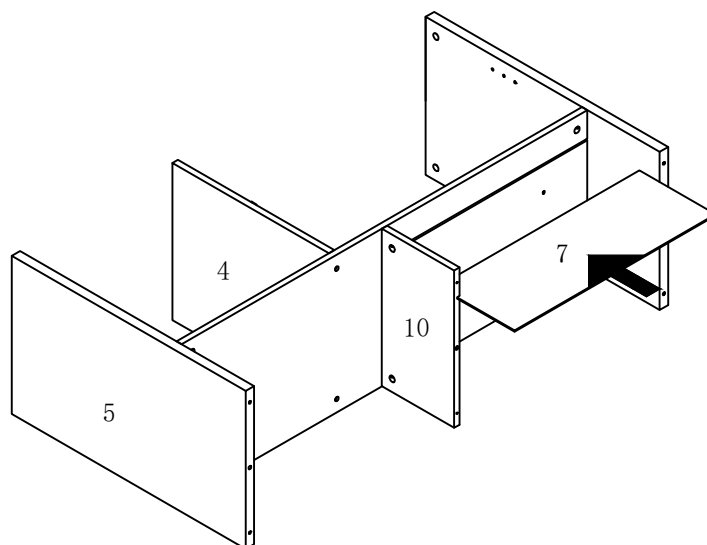
# ASSEMBLY INSTRUCTION

ITEM#: 151369



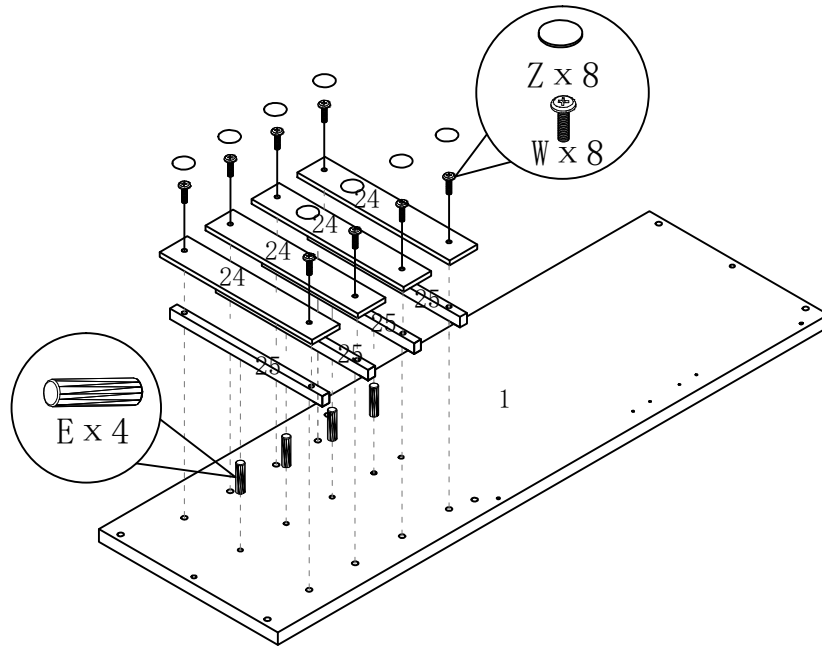
STEP3

STEP4



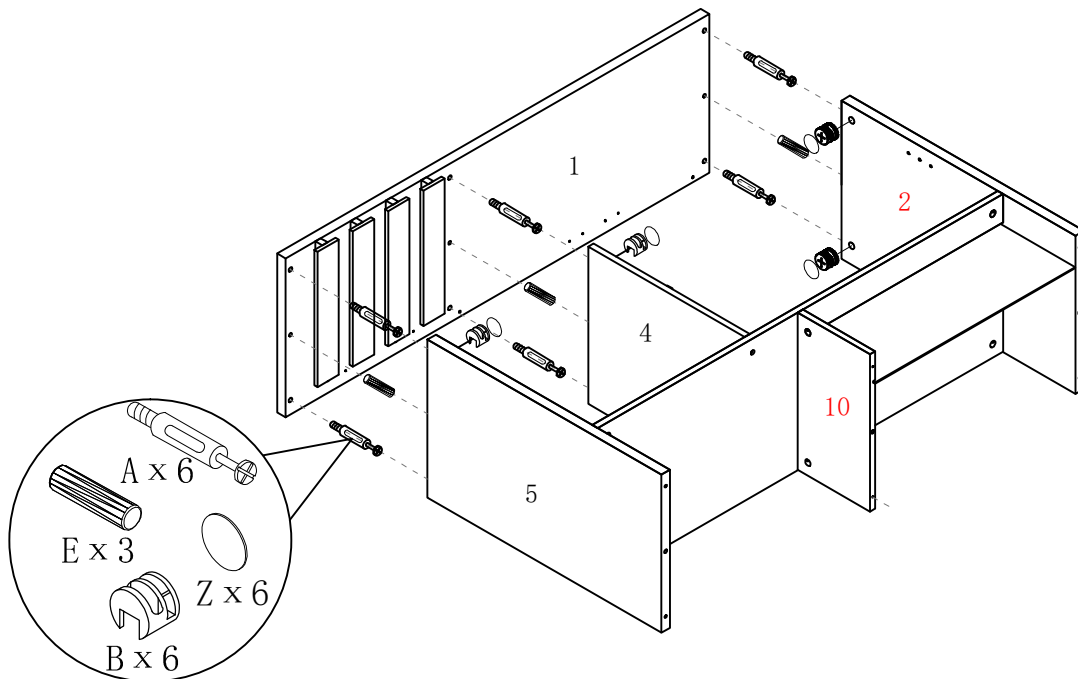
# ASSEMBLY INSTRUCTION

ITEM#: 151369



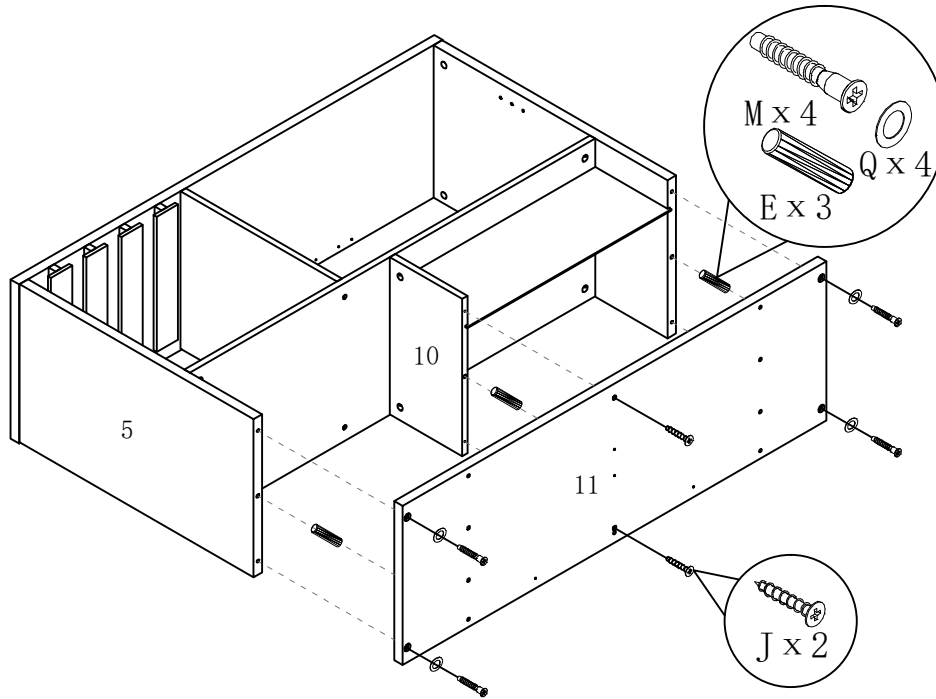
STEP5

STEP6



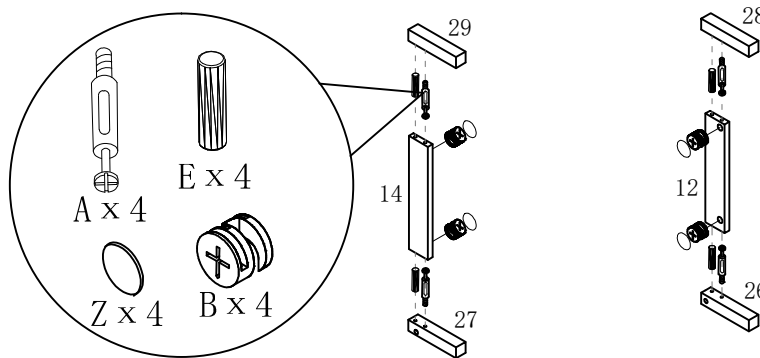
# ASSEMBLY INSTRUCTION

ITEM#: 151369

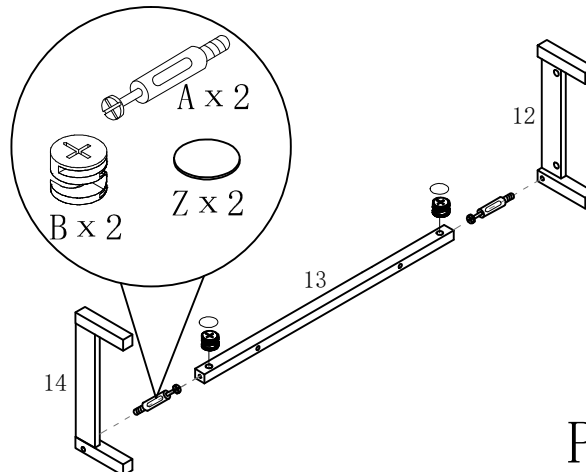


STEP7

STEP8



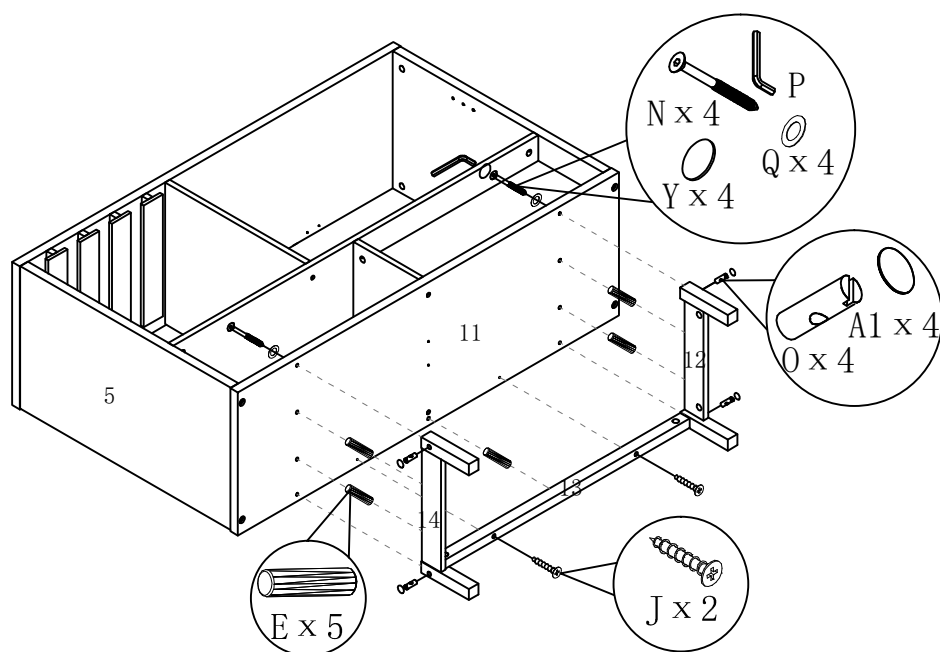
STEP9





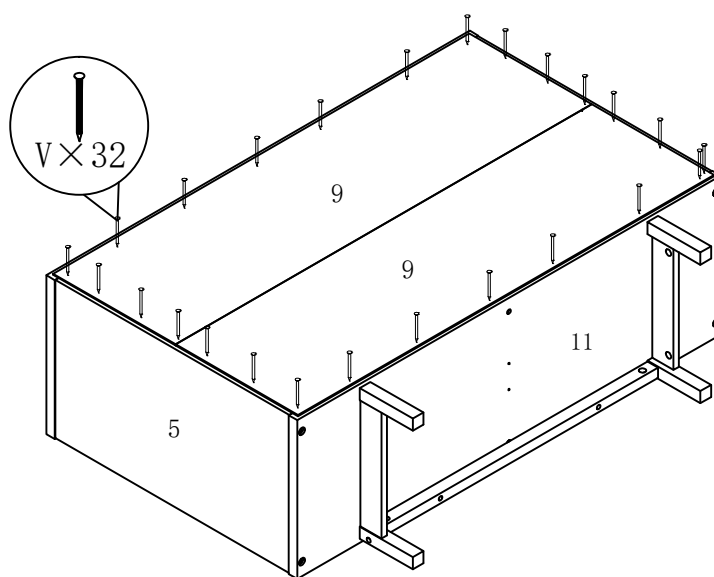
# ASSEMBLY INSTRUCTION

ITEM#: 151369



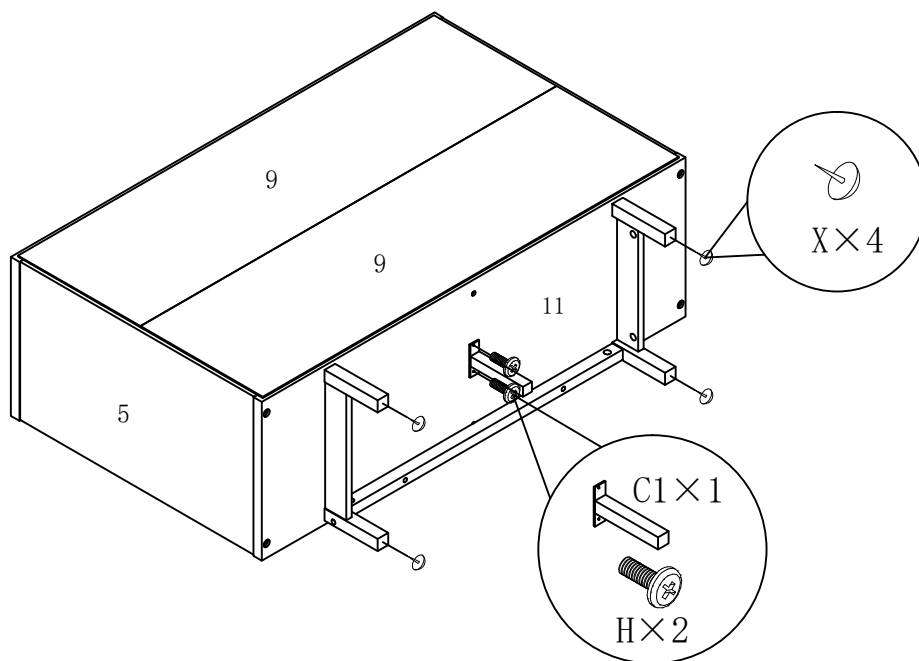
STEP10

STEP11



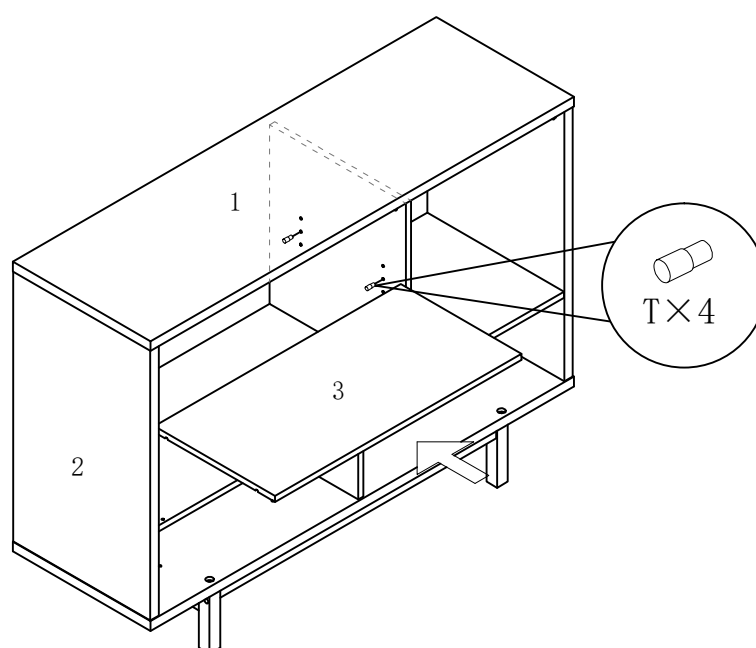
# ASSEMBLY INSTRUCTION

ITEM#: 151369



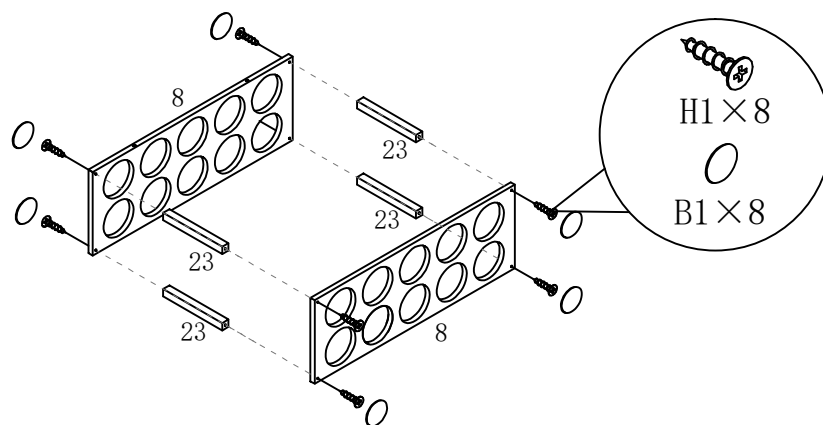
STEP12

STEP13



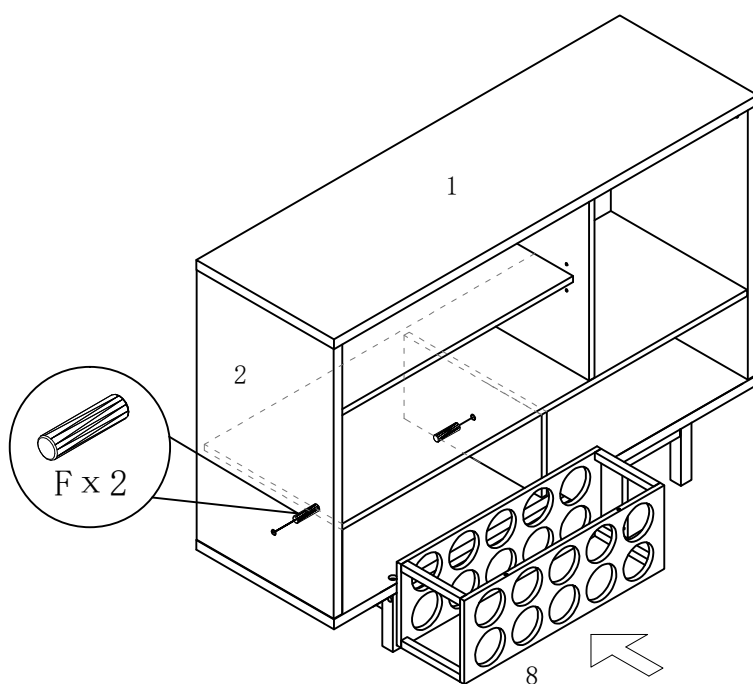
# ASSEMBLY INSTRUCTION

ITEM#: 151369



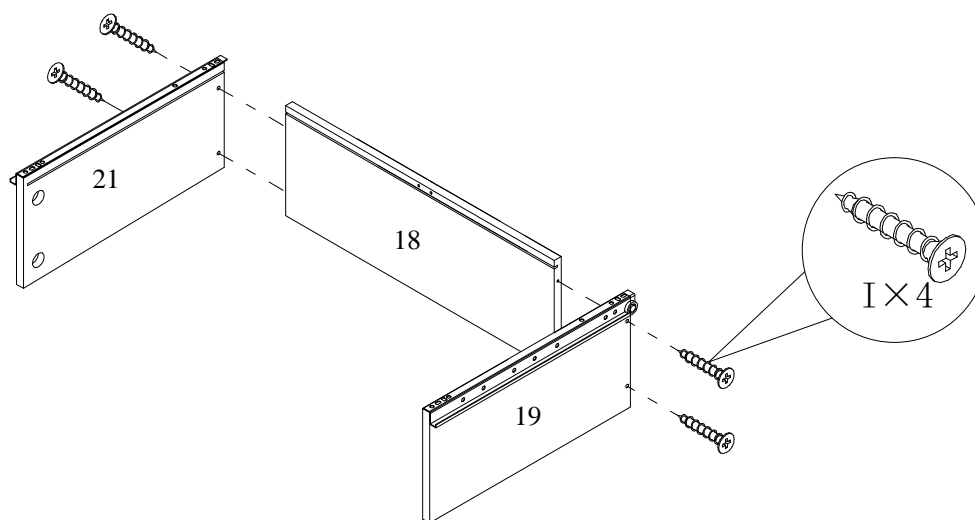
STEP 14

STEP 15



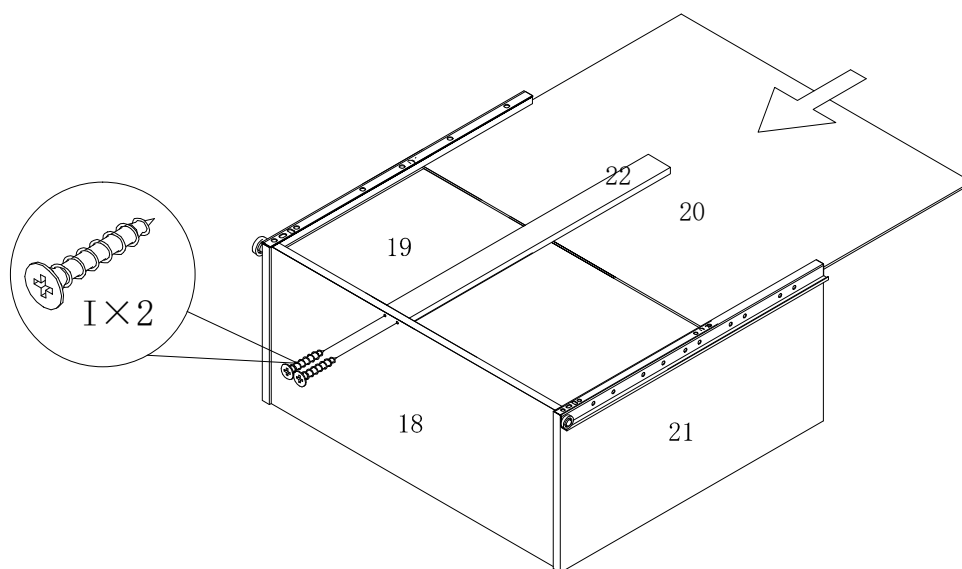
# ASSEMBLY INSTRUCTION

ITEM#: 151369



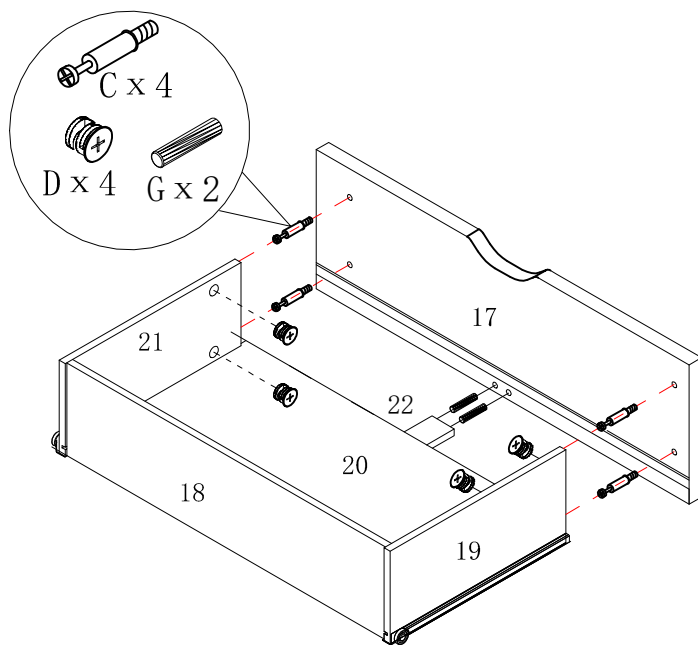
STEP16

STEP17



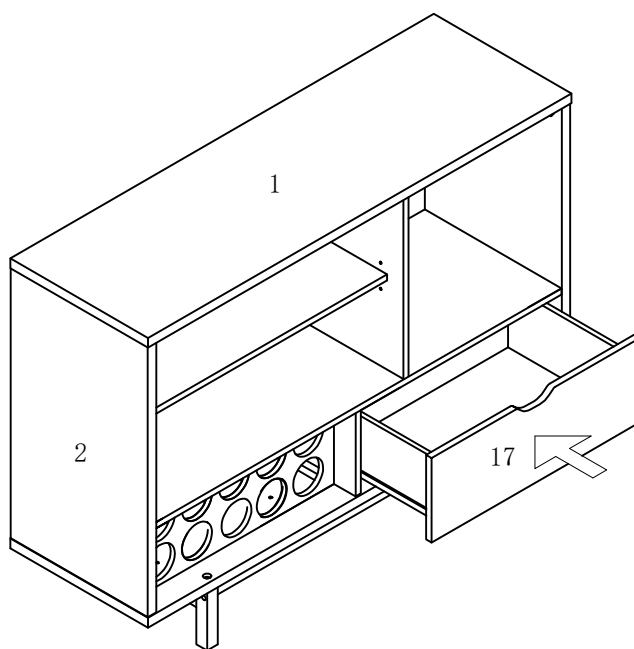
# ASSEMBLY INSTRUCTION

ITEM#: 151369



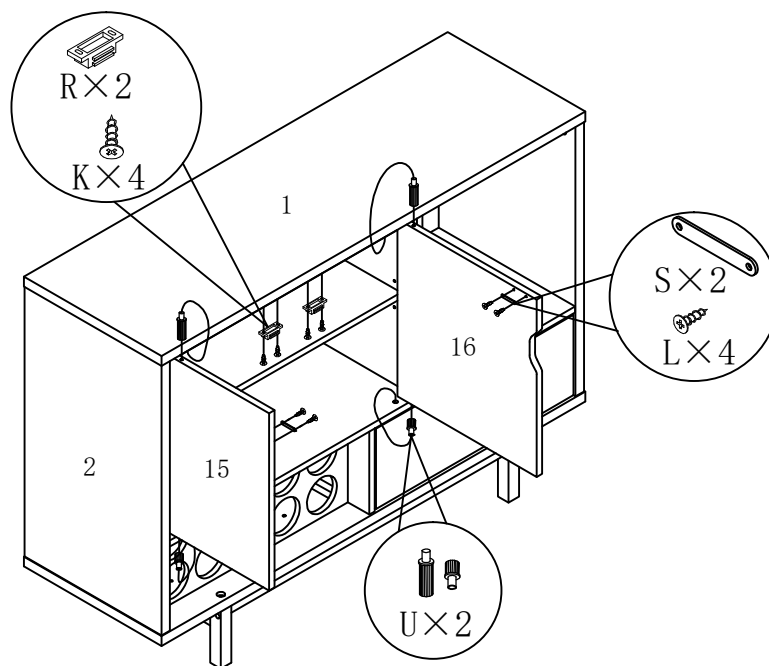
STEP18

STEP19



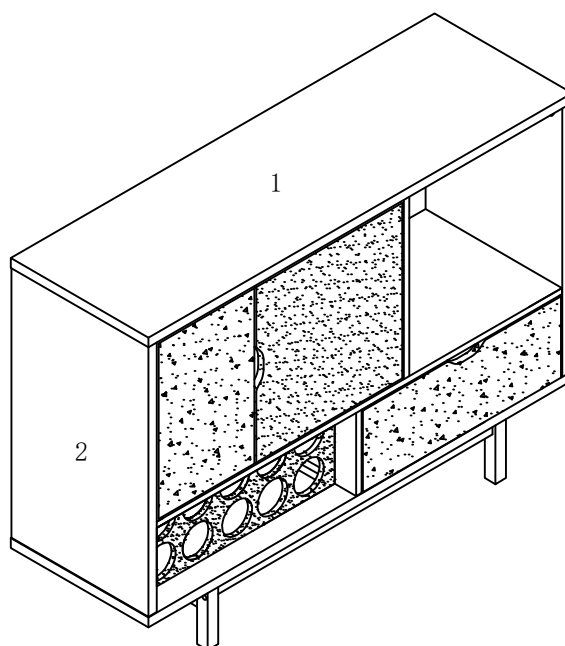
# ASSEMBLY INSTRUCTION

ITEM#: 151369



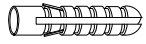
STEP20

STEP21

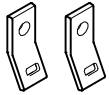


# ANTI-TIPPING STRAP INSTRUCTION

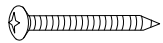
## HARDWARE (INCLUDED) :



DRYWALL ANCHOR  $\phi 8 \times 40$  X 1PC



METAL BRACKETS  $12 \times 12 \times 1$  X 2PCS



DRYWALL SCREW  $\phi 5 \times 40$  X 1PC

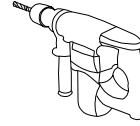


STRAP  $197 \times 5 \times 1$  X 1PC



FLATHEAD SCREW  $\phi 4 \times 25$  X 1PC

## TOOLS NEEDED ( NOT INCLUDED) :



DRILL & DRILL BIT



LIGHT HAMMER

Note: Hardware included only compatible with standard drywalls.

<p><b>STEP 1</b></p> <p>1. Find spot on wall 1" below top of item. 2. Using a drill bit slightly thinner than anchor, drill hole into drywall.</p>	<p><b>STEP 2</b></p> <p>1. Use a light hammer to tap anchor into hole. 2. Anchor should fit snugly. If hole is too small, drill again to increase hole size. Do not force anchor into wall.</p>
<p><b>STEP 3</b></p> <p>1. Insert drywall screw into metal bracket and into drywall anchor. 2. Insert flathead screw into second metal bracket and into back of item, along top edge.</p>	<p><b>STEP 4</b></p> <p>1. Insert strap thru bracket attached to wall, then thru bracket on item, and into head of strap. 2. pull lightly til strap stops. Assembly is complete.</p>